

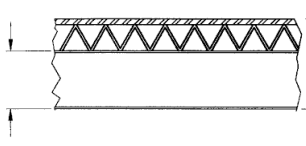

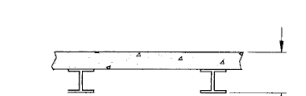
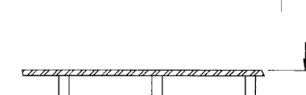

# JOB SITE EVALUATION

| DATE | CUSTOMER | TYPE | MODEL | PROJECT NUMBER |
|------|----------|------|-------|----------------|
|      |          |      |       |                |

| QUESTIONNAIRE   |             |
|---|-------------|
| 1) Describe the method of loading material onto the platform . . . . .  | _____       |
| 2) Will the unit be used in an automation application? . . . . .  | _____ Y / N |
| 3) What is the height from the upper most level to the ceiling or lowest obstruction (i.e. pipes, conduit, etc.)? | _____ In.   |
| 4) Will the lift pass through an existing floor? _____ Y / N  | _____       |
| Specify hole size: W: _____ In.   |             |
| D: _____ In.  |             |
| 5) Will the lift be installed in a shaft? _____ Y / N   | _____ In.   |
| D: _____ In.  |             |
| H: _____ In.  |             |
| 6) Will the lift be installed Inside or Outside?  | _____       |
| 7) Will the lift be in a cold environment (<32°F)? _____ Y / N  |             |
| 8) Will the lift be installed in a clean room? _____ Y / N  |             |
| Division: _____   |             |
| Group: _____  |             |

| QUESTIONNAIRE (continued)  |  |
|--|--|
| 9) Are there any pipes or obstructions near where the lift will be installed? _____ Y / N                                    |  |
| 10) What is the size of the smallest doorway or passageway the lift must pass through to get to the installation site? _____ |  |
| 11) Will the lift be in a wet environment? _____ Y / N   |  |
| 12) What is the floor thickness at each level?   |  |
| 1 <sup>st</sup> Level: _____ In.   |  |
| 2 <sup>nd</sup> Level: _____ In.   |  |
| 3 <sup>rd</sup> Level: _____ In.   |  |
| 4 <sup>th</sup> Level: _____ In.   |  |
| Others: _____ In.  |  |
| 13) How close will the lift be to any walls? _____   |  |
| 14) Will the lift be installed in a pre-existing pit? _____ Y / N  |  |
| D: _____ In.   |  |
| H: _____ In.   |  |

Please describe the type of floor structure for the upper levels (not the ground level):

-  ← Bar Joists
-  ← I-Beam
-  ← Concrete
-  ← Concrete & I-Beams
-  ← Other (Please Describe)

| APPROVAL  |
|---|
| By signing below, you acknowledge the information given on this form if accurate. The equipment will be built based on this installation site environment. If the information submitted on this form does not comply with the information given at time of quote, alterations may need to be made which may incur additional charges. |
| Name (printed): _____   |
| Signature: _____  |
| Date: _____   |

**FAX COMPLETED FORM TO 321-728-3352**  
 or mail to: 360 East Drive, Melbourne, FL 32904